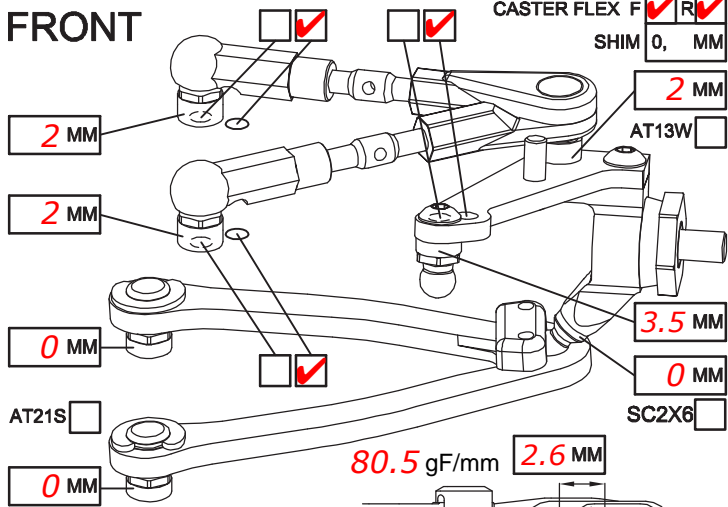


NAME *Brandon Clements*  
 COUNTRY \_\_\_\_\_  
 RACE *CTS Round 3*  
 TRACK *Speedworld*

DATE *4/17/2016* TEMP.°C AIR / TRACK *85°F /* °C  
 CARPET  ASPHALT   
 TRACK CONDITION TECHNICAL  MIXED  FAST   
 TRACTION LOW  MEDIUM  HIGH

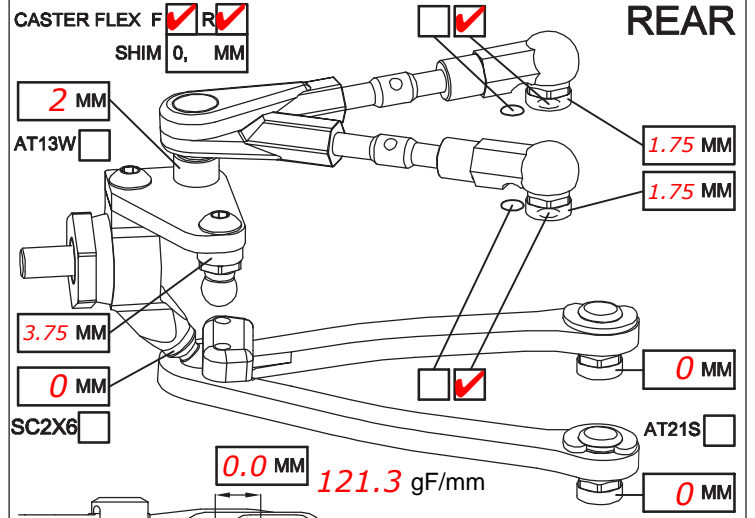
## FRONT



CAMBER ANGLE / ° *-2*  
 CASTER ANGLE / ° *4*  
 TOE ANGLE / ° *1 Out*  
 RIDE HEIGHT / MM *5*  
 DOWNSTOP / MM *5.8*  
 UPSTOP / MM \_\_\_\_\_  
 STABILIZER Ø / MM *1.2*  
 LOW ARM C04AL  +0.5   
 STEERING ARM STD    
 WHEEL SPACER / MM \_\_\_\_\_  
 FRONT DRIVE  GD3  SPOOL  GD2B   
 DIFF OIL \_\_\_\_\_  
 DIFF WASHERS \_\_\_\_\_  
 DOGBONE DRIVE ST17-1  ST11  ST12  BB  ST02

**SHOCKS SET**  
 OIL *550cst*  
 1.8 MM  
 ROTOR STD    
 SPRING STD  S   
 DAMPER D2.1    
 ACTION SYM.  ASYM.   
 SRS/RHS ARR. I  II

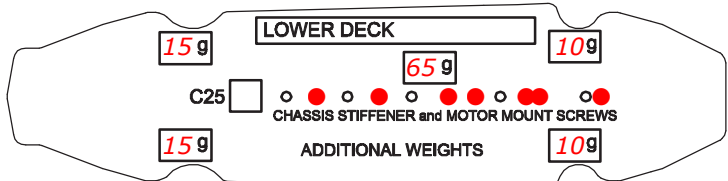
## REAR



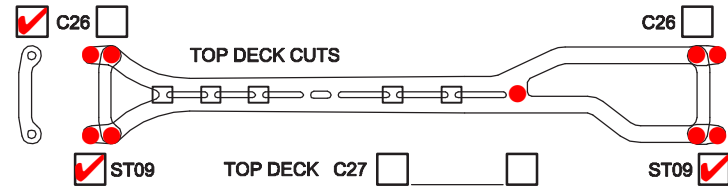
**SHOCKS SET**  
 OIL *550cst*  
 3.8 MM  
 ROTOR STD    
 SPRING STD  S   
 DAMPER D2.1    
 ACTION SYM.  ASYM.   
 SRS/RHS ARR. I  II

CAMBER ANGLE / ° *-2*  
 CASTER ANGLE / ° *+2*  
 TOE ANGLE / ° *2.5*  
 RIDE HEIGHT / MM *5.2*  
 DOWNSTOP / MM *4.4*  
 UPSTOP / MM \_\_\_\_\_  
 STABILIZER Ø / MM *1.1*  
 LOW ARM C04AL  +0.5   
 STEERING ARM STD    
 WHEEL SPACER / MM \_\_\_\_\_  
 REAR DRIVE  GD3R  GD2B   
 DIFF OIL *7k* DIFF WASHERS *.2x10mm / .3x10mm*  
 DOGBONE DRIVE ST11  ST12  BB  ST17-1  EVD

### FRAME FLEX SETTING



CHASSIS STIFFENER AM110  AM115  ST130



COMMENTS

*C04-0.5*  
*ST165*

| TIRES    |    | FRONT          | REAR        |
|----------|----|----------------|-------------|
| FR       | FR |                |             |
| RI       | RI |                |             |
| RR       | RR |                |             |
| BRAND    |    | <i>Solaris</i> | <i>Sc30</i> |
| INSERTS  |    |                |             |
| WHEELS   |    |                |             |
| ADDITIVE |    | <i>FX2</i>     | <i>FX2</i>  |

MOTOR LATERAL SHIFT / MM \_\_\_\_\_  
 ACKERMANN SHIMS / MM *2*  
 DRIVE RATIO *8.0*  
 SPUR *114* PINION *27*  
 BODY *LTCR LW*  
 WING *PF High Downforce*  
 MOTOR *Hobbywing G2 4.5*  
 SERVO *Futaba BLS551*  
 ESC *Hobbywing V3.1*  
 BATTERY *Orca 6200*  
 RECEIVER *Airtronics 481*

BEST LAP TIME *14.0* QUALIF. / FINAL POSITION *1 / 3*

ESC SETTING \_\_\_\_\_  
 COMMENTS / IMPRESSIONS \_\_\_\_\_

CONTACT \_\_\_\_\_