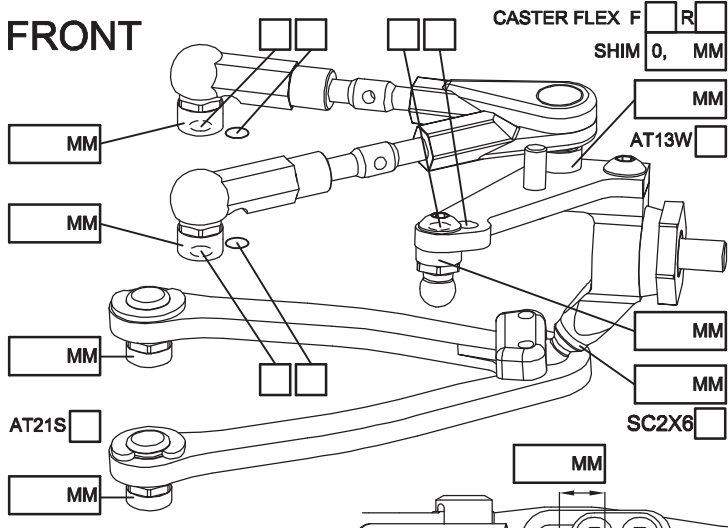


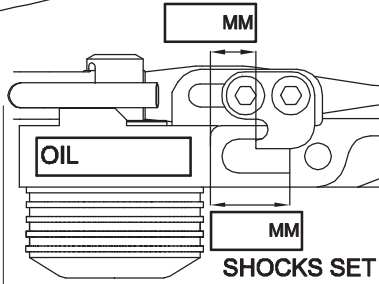
NAME _____
 COUNTRY _____
 RACE _____
 TRACK _____

DATE _____ TEMP.°C AIR / TRACK _____ /
 TRACK CONDITION TECHNICAL CARPET ASPHALT
 MIXED FAST
 TRACTION LOW MEDIUM HIGH

FRONT



CAMBER ANGLE / ° _____
 CASTER ANGLE / ° _____
 TOE ANGLE / ° _____
 RIDE HEIGHT / MM _____
 DOWNSTOP / MM _____



UPSTOP / MM _____
 STABILIZER Ø / MM _____
 LOW ARM C04AL
 STEERING ARM STD
 WHEEL SPACER / MM _____

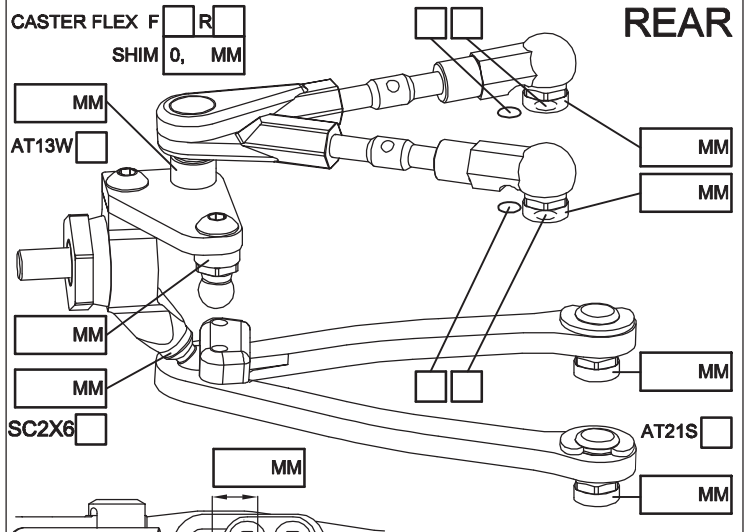
ROTOR STD
 SPRING STD S
 DAMPER D2.1
 ACTION SYM. ASYM.
 SRS/RHS ARR. I II

FRONT DRIVE GD3 SPOOL GD2B

DIFF OIL _____ DIFF WASHERS _____

DOGBONE DRIVE ST17-1 ST11 ST12 BB ST02

REAR



CAMBER ANGLE / ° _____
 CASTER ANGLE / ° _____
 TOE ANGLE / ° _____
 RIDE HEIGHT / MM _____
 DOWNSTOP / MM _____

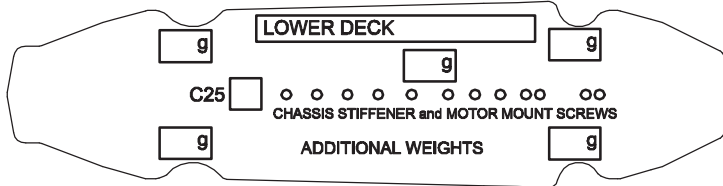
ROTOR STD
 SPRING STD S
 DAMPER D2.1
 ACTION SYM. ASYM.
 SRS/RHS ARR. I II

REAR DRIVE GD3R GD2B

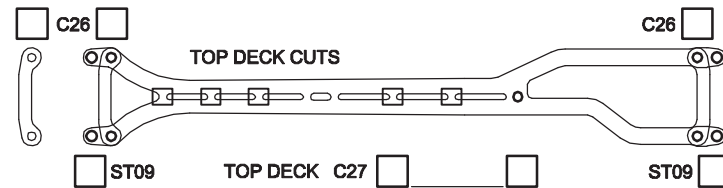
DIFF OIL _____ DIFF WASHERS _____

DOGBONE DRIVE ST11 ST12 BB ST17-1 EVD

FRAME FLEX SETTING



CHASSIS STIFFENER AM110 AM115 ST130



COMMENTS _____

FL	FR	RL	RR	TIRES		FRONT	REAR
				BRAND		_____	_____
				INSERTS		_____	_____
				WHEELS		_____	_____
				ADDITIVE		_____	_____

MOTOR LATERAL SHIFT / MM _____	MOTOR _____
ACKERMANN SHIMS / MM _____	SERVO _____
DRIVE RATIO _____	ESC _____
SPUR _____ PINION _____	BATTERY _____
BODY _____	RECEIVER _____
WING _____	

BEST LAPTIME _____ QUALIF. / FINAL POSITION _____ /

ESC SETTING _____
COMMENTS / IMPRESSIONS _____

CONTACT _____