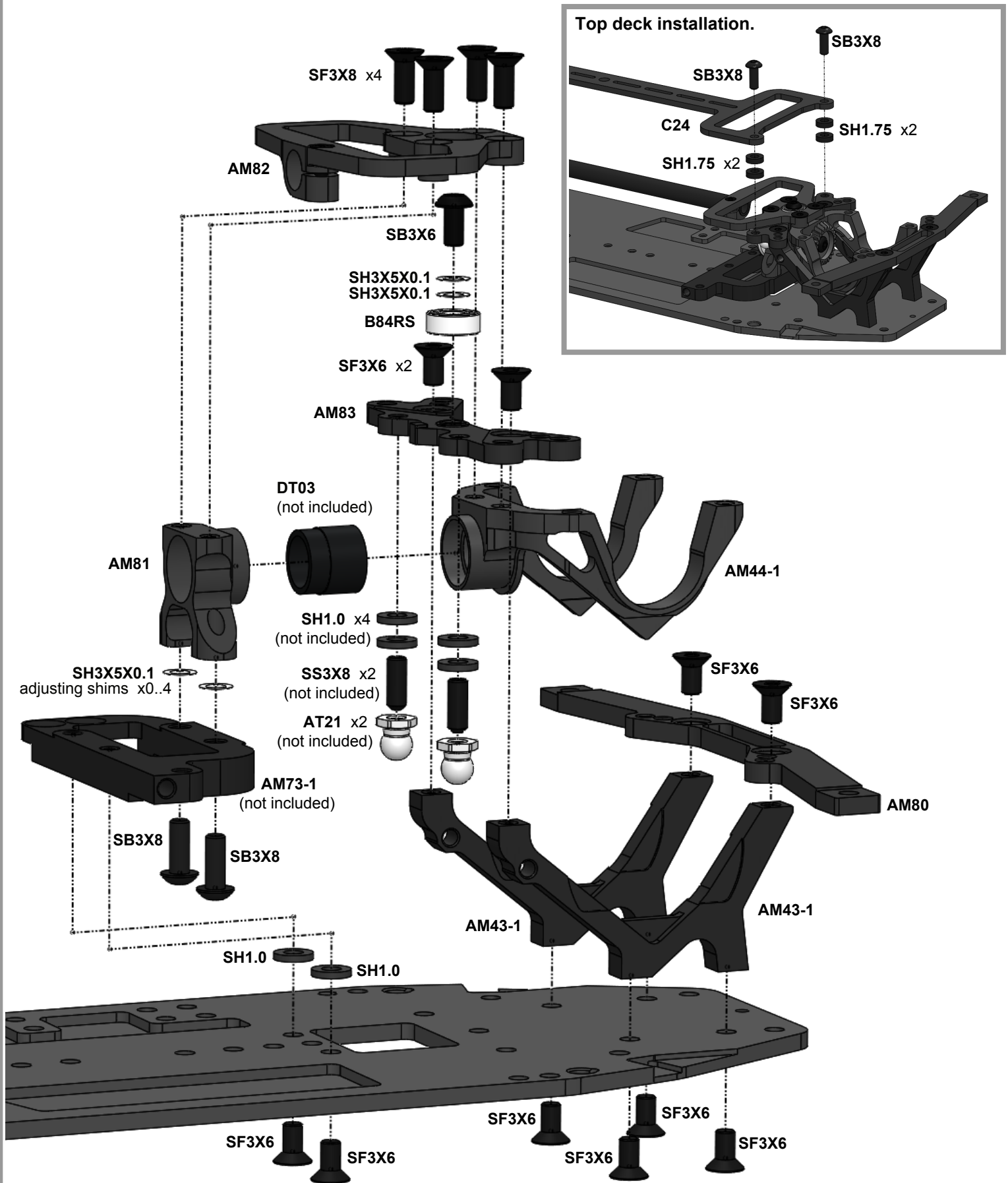


# Rear Floating Gearbox set (RFG) assembly diagram.



- Note:** 1. AM73-1, DT03, AT21, SS3X8, some SH1.0 are the parts of the car kit.  
 2. Adjust the height position of AM83/DT03/AM44-1 unit for correct frictionless operation of RFG. Use the appropriate amount of SH3X5X0.1 shims for this.